

# 100 SERIES SPRAYER



**1715 S. SLAPPEY BLVD**

**ALBANY, GA 31701**

**229-639-1775**

**WWW.LMCAG.COM**

## **Warranty Policy**

LMC-Ag provides a full 1-year manufacturer's warranty on its products and parts. Warranty starts from the date the dealer or distributor sells the product to the end user. Terms of this warranty are as follows: 1 year warranty on products sold prior to a 2 year and 6-month mark from the date at which dealer took possession. After the 2 year and 6-month mark, warranty coverage drops to 50% coverage on the overall warranty of the unit. After the 3-year mark, warranty coverage drops to a 25% coverage on the overall warranty of the unit. After the 4-year mark, warranty coverage drops completely and the end user or dealer will be responsible for covering any items needed. Contact must be made with LMC-AG prior to any warranty work to be done. LMC-Ag posts labels on units directing customers on what to do in case they feel as though an issue should be covered under warranty. Failure to follow these instructions may result in loss of warranty coverage for that particular situation. Cutting, welding, or fabrication to the unit at any point in the 1-year umbrella without LMC-Ag approval will result in total loss of warranty on the entire machine.

LMC-Ag's vendor products that are placed on our units carry a limited warranty provided to us by the manufacture themselves. Example: Pumps carry a 1 year manufacture warranty, but limited and not to exceed 2 years. Questions about warranty on the purchase items of a sprayer please contact us at 800-673-6369.

# START UP GUIDELINES

1. Start by checking all hoses and clamps to ensure that everything is tight.
2. Check your strainer to make sure all debris is clear.
3. Make sure all valves are turned to the on position.
4. Connect sprayer to tractor using 3 point.
5. Connect pump to your tractor using the pto driveshaft, pto coupling, or hydraulic hoses. (if using a roller pump and using a chain be sure that the chain is connected to the draw bar and not the lift arms.)
6. Fill the tank with water.
7. Start up the pump to ensure everything is operational.
8. While running the pump toggle your controls and relief valves to make sure they are working, properly adjusted and that your sprayer is calibrated.
9. After everything is checked and properly adjusted, continue filling your tank.
10. Once your sprayer is filled, make sure that the lid is properly secure before use.
11. After these steps have been completed, you are ready to spray.

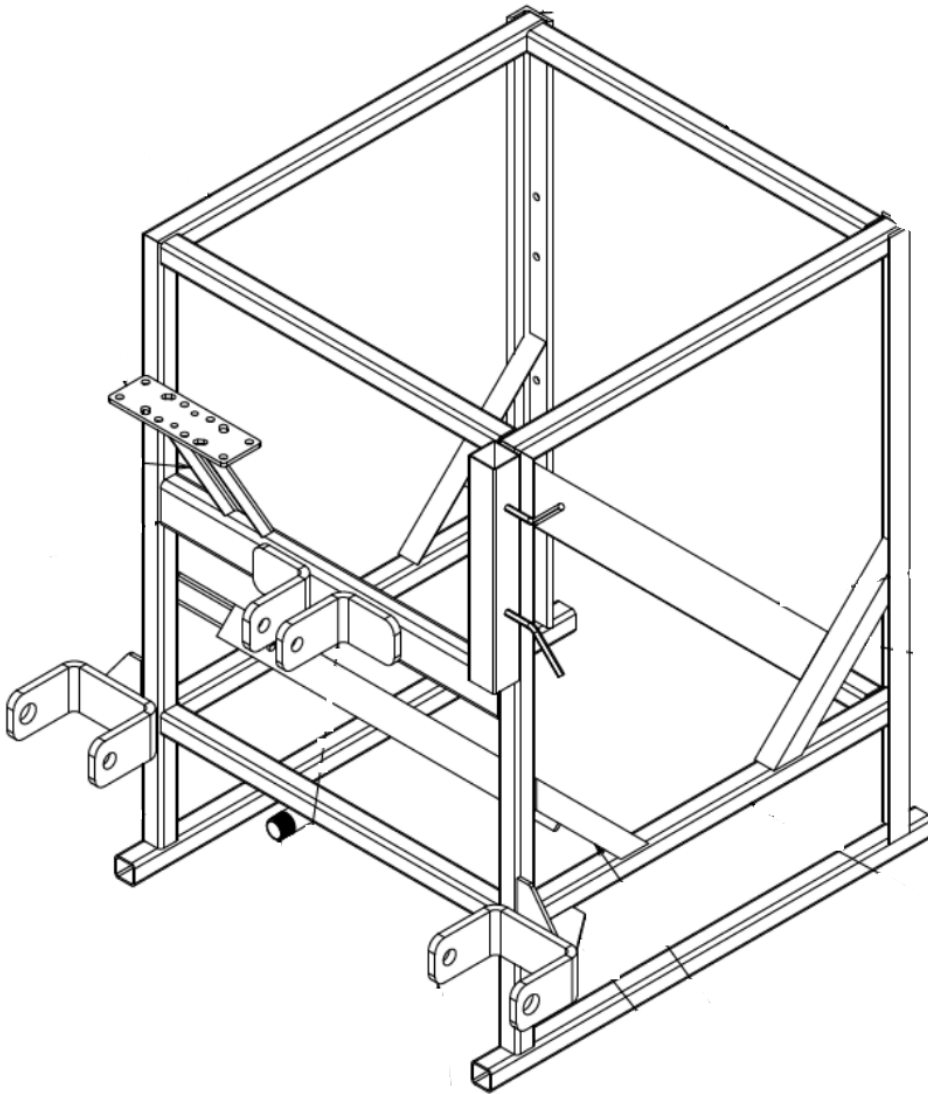
# SPRAYER BREAKDOWN

**Part # 85-060-33AQH 100 SERIES S RACK ONLY**

55 OR 85 Gallon Tank

**Part # 85-061-35AQH 100 SERIES M RACK ONLY**

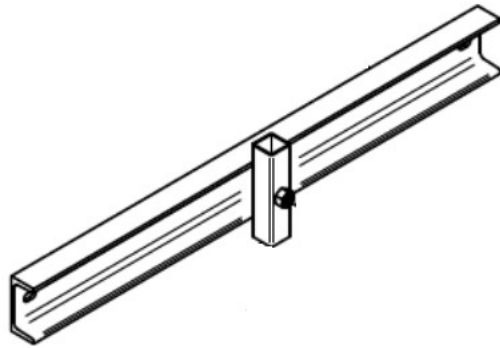
110, 150 OR 200 Gallon Tank



# BOOMLESS SPRAYER BREAKDOWN

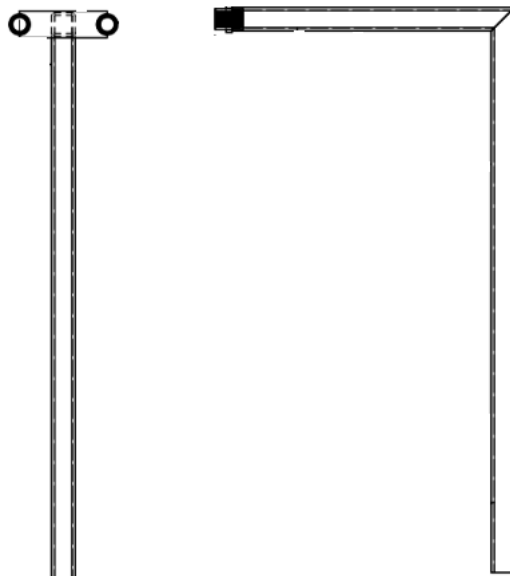
**Part # 85-9246-35**

100 Series XTO Mounting Bracket



**Part # 85-2002-40**

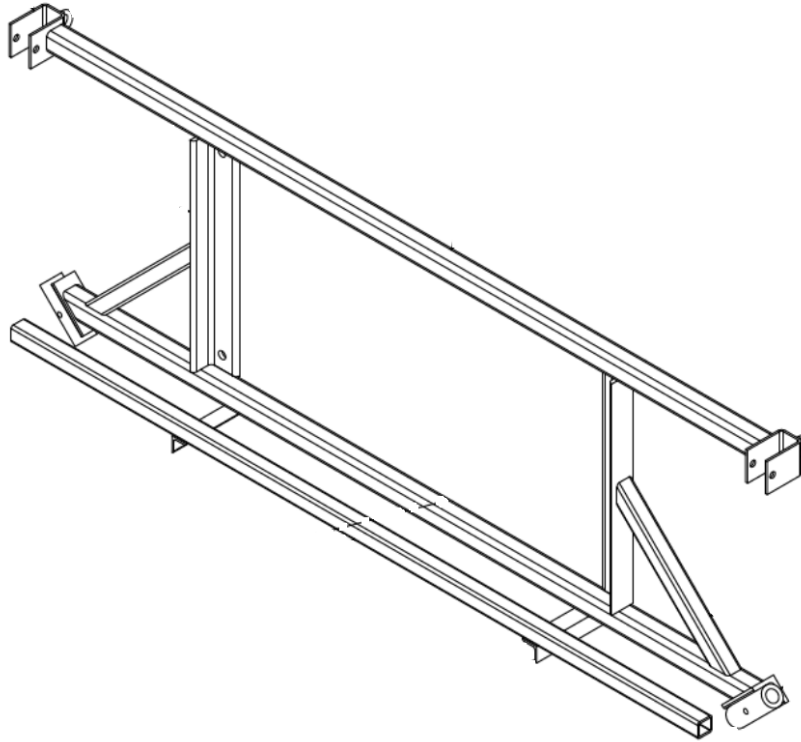
100 Series XTO Tip Bracket



# SPRAYER BREAKDOWN

**Part # 85-058-35A**

100 Series Center Section



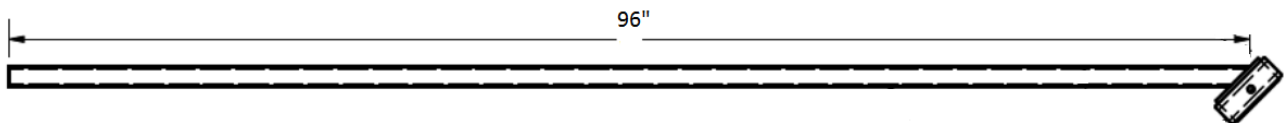
**Part # 85-071-35L**

100 Series Center Section Left Hand

**Part # 85-071-35R**

100 Series Center Section Right Hand

SOLD IN STANDARD LENGTH 96"



# MANUAL VALVE BREAKDOWN

## 6B Control Valve

ITEM	PART NO.	DESCRIPTION
1	CP36201-NIT	HANDLE, NYLON (GRAY)
2	CP36503-SS	GRUOVE PIN, TYPE 302 STAINLESS STEEL
3	CP36303-PP	BODY INSERT, POLYPROPYLENE (BLACK)
4	CP7717-2/108-VI	O-RING, VITON
5	CP36207-PPB	WASHER, POLYPROPYLENE (BLACK) 2 REQ'D
6	CP7717-2/203-VI	O-RING, VITON
7	CP36503-SS	STEM, TYPE 302 STAINLESS STEEL
8	CP36203-SS	STEM, TYPE 302 STAINLESS STEEL
9	CP36723-VI	SHUT-OFF WASHER, VITON
10	CP36723-SS	PHILLIPS HEAD SCREW, TYPE 302 STAINLESS STEEL
11	CP36203-PP	BODY (NPT), POLYPROPYLENE (BLACK) (FOR MODEL A48B)
12	CP36303-PP	BODY (BSPT), POLYPROPYLENE (BLACK) (FOR MODEL A48B)
13	CP36303-PP	RETAINING CLIP, TYPE 302 STAINLESS STEEL
14	B400-1/4-PPB	PIPE PLUG (NPT), POLYPROPYLENE (BLACK) (FOR MODEL A48B)
15	B400-1/4-PPB	PIPE PLUG (BSPT), POLYPROPYLENE (BLACK) (FOR MODEL A48B)
Ms. A48B DIRECTOVALVE MANUAL CONTROL VALVE (NPT THREADS)		
Ms. A48B DIRECTOVALVE MANUAL CONTROL VALVE (BSPT THREADS)		
PK-A48B-NIT SPARE PARTS KIT (INCLUDES ALL ITEMS MARKED WITH *)		

**DESCRIPTION**

A48B DIRECTOVALVE MANUAL CONTROL VALVE (NPT & BSPT THREADS)

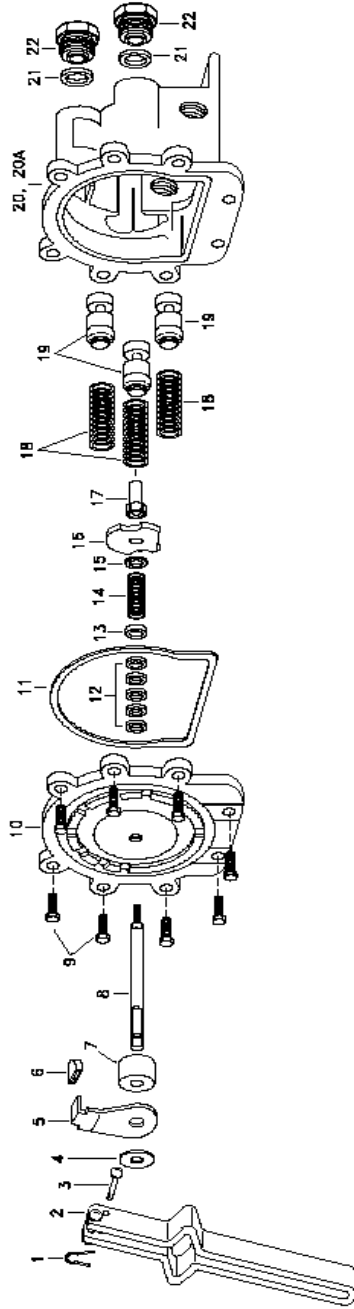
PIPE PLUG (SUPPLIED SEPARATELY WITH UNIT)

**Spraying Systems Co.**  
 Spray Muzzles and Accessories  
 P.O. Box 1900 • Houston, TX 77250-1900

Part List No. \_\_\_\_\_  
 PL 031  
 Rev. No. 1 \_\_\_\_\_  
 Total \_\_\_\_\_ of \_\_\_\_\_


# MANUAL VALVE BREAKDOWN

## 17L Control Valve



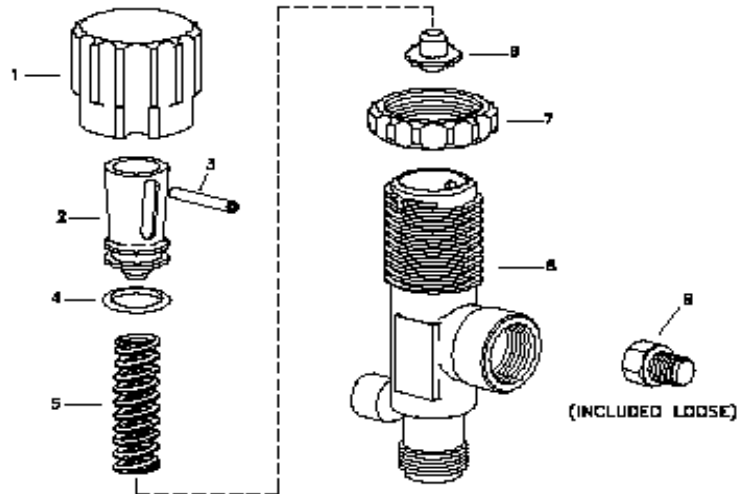
ITEM	PART NO.	DESCRIPTION
13	CP12130-SS	Packing Gland, Stainless Steel
14		Main Spring, Stainless Steel
15		Washer, Stainless Steel
16	CP6971-AL	Selector Cam, Aluminum
17		Guide Nut, Stainless Steel
18	CP6959-SS	Valve Spring, Stainless Steel (3 Req'd)
19	CP6956-CE	Valve Stem, Celcon (3 Req'd)
20	CP6934-3/4-AL	Body, Aluminum (For AA17L)
20A	CP6934-1/4-AL	Body, Aluminum (For AA17Y)
21	CP6958-POL	Seat Plate, Polyethylene (3 Req'd)
22	CP7902-AL	Outlet Adapter, Aluminum (3 Req'd)
	No. AA17L, TeeValve Control Valve	
	No. AA17Y, TeeValve Control Valve	
	PK-AB17-KIT -Spare Parts Kit (includes all items marked with *)	

ITEM	PART NO.	DESCRIPTION
* 1	CP6012-1/2-SS	1/16" x 1/2" Cotter Pin, Stainless Steel
* 2	CP6B49-1-I-ZP	Handle and Rivet Sub-Asy., Steel, Zinc Plated and Stainless Steel
* 3	CP7206-I-ZP	Rivet, Steel, Zinc Plated
* 4	CP6976-I-ZP	Handle Washer, Steel, Zinc Plated
* 5	CP1212B-I-ZP	Selector Shield, Steel, Zinc Plated
* 6	CP12127-CE	Selector Shield Tip, Celcon (Gray)
* 7	CP12129-CE	Spacer, Celcon (Gray)
* 8	CP6972-SS	Main Stem, Stainless Steel
* 9	CP20607-I-ZP	Hex Head Screw (1/4-20x3/4), Steel, Zinc Plated (6 Req'd)
* 10	CP12126-AL	Cover Plate, Aluminum
* 11	CP6975-BU	Gasket, Buna-N
* 12	CP5909-LEA	Packing, Thermo-Leather (5 Req'd)


**Spraying Systems Co.**  
 Spray Nozzles and Accessories  
 P.O. Box 7900 - Wheaton, IL 60187-7901  
 Rev. No. 4  
 Ref.  
 Parts List No.  
**PL 17**  
 SHEET OF



# RELIEF VALVE BREAKDOWN



ITEM	PART NO.	DESCRIPTION
1	CP23122-MY	ADJUSTING CAP, NYLON
2	CP23124-PP	SPRING RETAINER, POLYPROPYLENE
3	CP23126-302SS	RETAINING PIN, TYPE 302 STAINLESS STEEL
* 4	CP7717-15-EPR	O'RING, EPDM RUBBER
* 5	CP23127-302SS	SPRING, TYPE 302 STAINLESS STEEL
6	CP23125-PP	GUIDE SEAT, POLYPROPYLENE
7	CP23123-PP	LOCKRING, POLYPROPYLENE
8	CP23128-1-PP	BDDY, POLYPROPYLENE FOR No. 23120-1/2-PP
	CP23121-1-PP	BDDY, POLYPROPYLENE FOR No. 23120-3/4-PP
	CPB23128-2-PP	BDDY, POLYPROPYLENE FOR No. B23120-1/2-PP
	CPB23121-2-PP	BDDY, POLYPROPYLENE FOR No. B23120-3/4-PP
9	B400-1/4-PPB	PIPE PLUG FOR GAUGE PORT FOR No. 23120-__-PP
	BB400-1/4-PPB	PIPE PLUG FOR GAUGE PORT FOR No. B23120-__-PP
		No. 23120-1/2-PP PRESSURE RELIEF VALVE (NPT)
		No. 23120-3/4-PP PRESSURE RELIEF VALVE (NPT)
		No. B23120-1/2-PP PRESSURE RELIEF VALVE (BSPT)
		No. B23120-3/4-PP PRESSURE RELIEF VALVE (BSPT)

PK-AB23120-KIT - SPARE PARTS KIT (INCLUDES ALL ITEMS MARKED WITH \*)

## DESCRIPTION:

No. 23120-\_\_-PP  
PRESSURE RELIEF VALVES  
NPT & BSPT VERSIONS



**Spraying Systems Co.**

Spray Nozzles and Accessories  
P.O. Box 7900 - Wheaton, IL 60189-7900

Rev. No. 1

Ref.

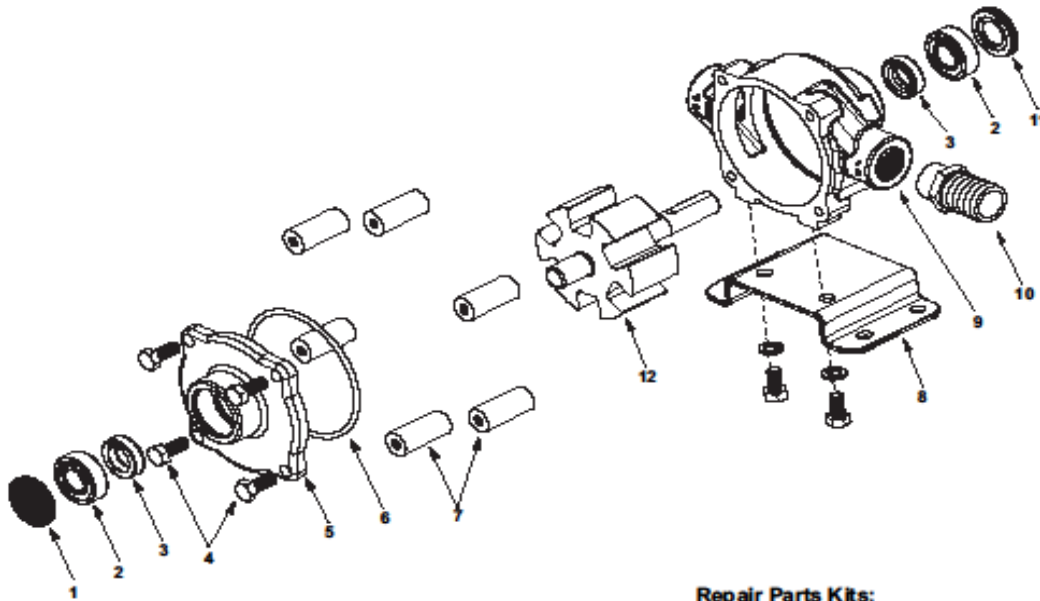
Parts List No.

PL 23120

SHEET OF

# PUMP PARTS BREAKDOWN

Series 6500



**IMPORTANT:**

When ordering parts, give PART NUMBER and PART DESCRIPTION. Reference Numbers are used ONLY to point out parts in the drawing and are NOT to be used as ordering numbers.

**Repair Parts Kits:**

**No. 3430-0380** Consists of (6) Ref. 7 Super Rollers, (1) Ref. 6 O-ring, and (2) Ref. 3 Viton seals.

**No. 3430-0175** Consists of (6) Ref. 7 Polypropylene Rollers, (1) Ref. 6 O-ring, and (2) Ref. 3 Viton seals.

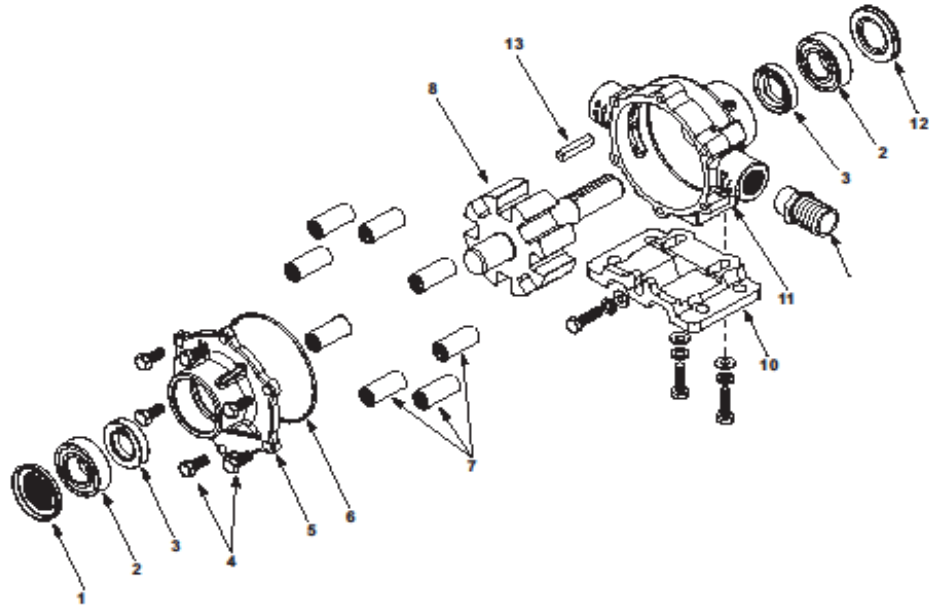
Ref. No.	Qty. Req'd.	Part Number	Description
1	1	2300-0021	Bearing Cover
2	2	2000-0010	Sealed Ball Bearing
3	2	2107-0002	Viton Seal (Standard)
3	2	2102-0001	Buna-N Seal (Optional)
3	2	2102-0001T	Teflon-coated Buna-N Seal (Optional)
4	4	2210-0004	Bolts
5	1	0200-6600C	Endplate (Cast Iron) with Seal
5	1	0200-6600N	Endplate (NI-Resist) with Seal
5	1	0200-6600X	Endplate (SilverCast) with Seal
6	1	1720-0008	O-ring Gasket for Endplate
7	6	1005-0004	Super Roller (Standard)
7	6	1002-0004	Polypropylene Roller (Optional)
7	6	1055-0004	Teflon Roller (Optional)

Ref. No.	Qty. Req'd.	Part Number	Description
8	1 kit	3420-0023	Base Kit - Sold Separately Includes: (1) Base, (2) Bolts and (2) Washers
9	1	0100-6600C	Body (Cast Iron) with Seal
9	1	0100-6600N	Body (NI-Resist) with Seal
9	1	0100-6600X	Body (SilverCast) with Seal
10	1	2404-0052	1" Hose Barb
11	1	2300-0023	Shaft Bearing Cover
12	1	0300-6600C	Rotor Assembly (Cast Iron)
12	1	3430-0767	Rotor Assembly (Std. NI-Resist & XL)

# PUMP PARTS BREAKDOWN

## Parts Illustration

Series 7560



**IMPORTANT:**

When ordering parts, give PART NUMBER and PART DESCRIPTION. Reference Numbers are used ONLY to point out parts in the drawing and are NOT to be used as ordering numbers.

**Repair Parts Kits:**

**No. 3430-0381** Consists of (8) Ref. 7 Super Rollers, (1) Ref. 6 O-ring, and (2) Ref. 3 Viton seals

**No. 3430-0167** Consists of (8) Ref. 7 Polypropylene Rollers, (1) Ref. 6 O-ring, and (2) Ref. 3 Viton seals

Ref. No.	Qty. Req'd.	Part Number	Description
1	1	2300-0020	Bearing Cover
2	2	2008-0001	Sealed Ball Bearing
3	2	2112-0003	Viton Seal (Standard)
3	2	2112-0001	Buna-N Seal (Optional)
4	6	2210-0004	Bolts
5	1	0204-7500C	Endplate (Cast Iron) with Seal
5	1	0204-7500N	Endplate (Ni-Resist) with Seal
5	1	0204-7500X	Endplate (SilverCast) with Seal
6	1	1720-0014	O-ring Gasket for Endplate
7	8	1005-0004	Super Roller (Standard)
7	8	1002-0004	Polypropylene Roller (Optional)
7	8	1055-0004	Teflon Roller (Optional)

Ref. No.	Qty. Req'd.	Part Number	Description
8	1	3430-0745	Rotor Assembly (Std. Ni-Resist & XL)
8	1	0308-7560C	Rotor Assembly (Cast Iron only)
10	1 kit	3420-0003	Base Kit - <b>Sold Separately</b> Includes: (1) Base, (3) Bolts and (3) Washers
11	1	0104-7500C	Body (Cast Iron) with Seal
11	1	0104-7500N	Body (Ni-Resist) with Seal
11	1	0104-7500X	Body (SilverCast) with Seal
12	1	2300-0022	Shaft Bearing Cover
13	1	1610-0005	Key
	1	1610-0059	Key (Stainless Steel)

# XTO TIP CHART

XTO-24 Standard

## X Tender Boomless Application Rate Chart

Nozzle Size (MNPT)	Pressure (PSI)	Flow Rate (GPM)	Gallons per Acre at swath shown								GAL/1000ft <sup>2</sup>				Swath (Ft) at 40 PSI 48 In high
			MPH								2	3	4	5	
			4	5	6	8	10	12	15	20					
<b>10</b> (1/4")	30	0.9	8.9	7.1	5.9	4.5	3.6	3.0	2.4	1.8	0.41	0.27	0.20	0.16	13
	40	1.0	9.9	7.9	6.6	5.0	4.0	3.3	2.6	2.0	0.45	0.30	0.23	0.18	
	50	1.1	10.9	8.7	7.3	5.4	4.4	3.6	2.9	2.2	0.50	0.33	0.25	0.20	
	60	1.2	11.9	9.5	7.9	5.9	4.8	4.0	3.2	2.4	0.55	0.36	0.27	0.22	
<b>20</b> (1/4")	30	1.7	13.6	10.9	9.0	6.8	5.4	4.5	3.6	2.7	0.62	0.42	0.31	0.25	15
	40	2.0	16.0	12.8	10.6	8.0	6.4	5.3	4.3	3.2	0.73	0.49	0.37	0.29	
	50	2.2	17.6	14.1	11.7	8.8	7.0	5.9	4.7	3.5	0.81	0.54	0.40	0.32	
	60	2.4	19.2	15.3	12.8	9.6	7.7	6.4	5.1	3.8	0.88	0.59	0.44	0.35	
<b>24</b> (1/4")	30	2.1	16.2	13.0	10.8	8.1	6.5	5.4	4.3	3.2	0.75	0.50	0.37	0.30	16
	40	2.4	18.6	14.9	12.4	9.3	7.4	6.2	5.0	3.7	0.85	0.57	0.43	0.34	
	50	2.7	20.9	16.7	13.9	10.4	8.4	7.0	5.6	4.2	0.96	0.64	0.48	0.38	
	60	2.9	22.4	17.9	15.0	11.2	9.0	7.5	6.0	4.5	1.03	0.69	0.51	0.41	
<b>43</b> (3/8")	30	3.7	31.6	25.3	21.1	15.8	12.6	10.5	8.4	6.3	1.45	0.97	0.72	0.58	14
	40	4.3	36.7	29.4	24.5	18.3	14.7	12.2	9.8	7.3	1.68	1.12	0.84	0.67	
	50	4.8	41.0	32.8	27.3	20.5	16.4	13.7	10.9	8.2	1.88	1.25	0.94	0.75	
	60	5.3	45.2	36.2	30.2	22.6	18.1	15.1	12.1	9.0	2.08	1.38	1.04	0.83	
<b>80</b> (1/2")	30	6.9	68.3	54.6	45.5	34.2	27.3	22.8	18.2	13.7	3.14	2.09	1.57	1.25	13
	40	8.0	79.2	63.4	52.8	39.6	31.7	26.4	21.1	15.8	3.64	2.42	1.82	1.45	
	50	8.9	88.1	70.5	58.7	44.1	35.2	29.4	23.5	17.6	4.04	2.70	2.02	1.62	
	60	9.8	97.0	77.6	64.7	48.5	38.8	32.3	25.9	19.4	4.45	2.97	2.23	1.78	
<b>167</b> (3/4")	30	14.5	128	103	85.4	64.1	51.3	42.7	34.2	25.6	5.88	3.92	2.94	2.35	15
	40	16.7	148	118	98.4	73.8	59.0	49.2	39.4	29.5	6.78	4.52	3.39	2.71	
	50	18.7	165	132	110	82.6	66.1	55.1	44.1	33.1	7.59	5.06	3.79	3.03	
	60	20.5	181	145	121	90.6	72.5	60.4	48.3	36.2	8.32	5.54	4.16	3.33	
<b>215</b> (3/4")	30	18.6	144	115	95.9	71.9	57.5	48.0	38.4	28.8	6.60	4.40	3.30	2.64	16
	40	21.5	166	133	111	83.1	66.5	55.4	44.3	33.3	7.63	5.09	3.82	3.05	
	50	24.0	186	149	124	92.8	74.3	61.9	49.5	37.1	8.52	5.68	4.26	3.41	
	60	26.3	203	163	136	102	81.4	67.8	54.2	40.7	9.34	6.22	4.67	3.73	

\* Tip Rebuild Kits Available

# FLUSHING SPRAYERS

1. Make sure all fluids are drained from the tank, strainers and tips.
2. Pour approximately 1-5 gallons of approved tank cleaner into your tank.
3. Fill the tank up to 25 to 50 percent capacity with water.
4. Turn your pump on and allow the cleaner/solution to circulate throughout the entire unit.
5. After you have run the 25-50 percent solution out of the tank check all components once more for any trash or debris.

**NOTE: LMC-AG DOESN'T MAKE RECOMMENDATIONS ON CLEANING SOLUTIONS**

# WINTERIZING SPRAYERS

1. Make sure all fluids are drained from the tank, strainers and tips.
2. Pour approximately 1-5 gallons of biodegradable antifreeze into your tank.
3. Add an additional 5-10 gallons of water.
4. Turn your pump on and allow the sprayer to circulate the solution throughout the entire unit.
5. After a few seconds shut down the unit as to keep antifreeze in the lines and tank.

# SPRAYER CALIBRATION

## Useful Formulas

$$\text{GPM (Per Nozzle)} = \frac{\text{GPA} \times \text{MPH} \times W}{5,940}$$

$$\text{GPM (Per Nozzle)} = \frac{\text{GAL}/1000\text{FT}^2 \times \text{MPH} \times W}{136}$$

$$\text{GPA} = \frac{5,940 \times \text{GPM (Per Nozzle)}}{\text{MPH} \times W}$$

$$\text{GAL}/1000\text{FT}^2 = \frac{136 \times \text{GPM (Per Nozzle)}}{\text{MPH} \times W}$$

GPM — Gallons Per Minute

GPA — Gallons Per Acre

GAL/1000FT<sup>2</sup> — Gallons Per  
1000 Square Feet

MPH — Miles Per Hour

W — Nozzle spacing (in inches) for  
broadcast spraying

— Spray width (in inches) for  
single nozzle, band spraying  
or boomless spraying

— Row spacing (in inches) divided  
by the number of nozzles per  
row for directed spraying

Teejet Technologies offers an app for calibrating your sprayer and choosing the correct tips for your application. SpraySelect can be downloaded from the Google Play Store or Apple Store for free.