


ELECTRIC SPREADER

Fertilizer/Seed Spreader - Mod. IE-70, 100, 180

OPERATOR'S MANUAL

 Please Read this operator's manual before operating the machine



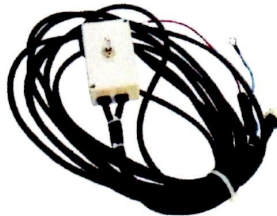
LMC^{AG}

- INDEX -

1. Introduction	1
2. Technical data	2
3. Parts	3
4. How to Operate	4
5. Important safety information	5
6. Checkup	6
7. Storage	6
8. Spreading Chart	7-14
9. Parts sales & Trouble shooting	15
10. Warranty/Complimentary check up & Repair	15
11. Part list	16-18
12. Certificate of Quality Assurance	19-24

1. Introduction

- 1) Adjust spreading amount by adjusting lever.
- 2) Yellow poly hopper makes rust free and visible inside.
- 3) The spreading disc is rotated by DC12V motor.
- 4) Stainless steel Frame, spreading disc and vanes.
- 5) Spreads fertilizer and seed.



ON/OFF Controller

- 6) Spreading width maximum 22m, minimum 2m.(Optional)
- 7) Spreading width can be controlled by remote controller.(Optional)
- 8) Optional



Remote Controller

2. Technical data

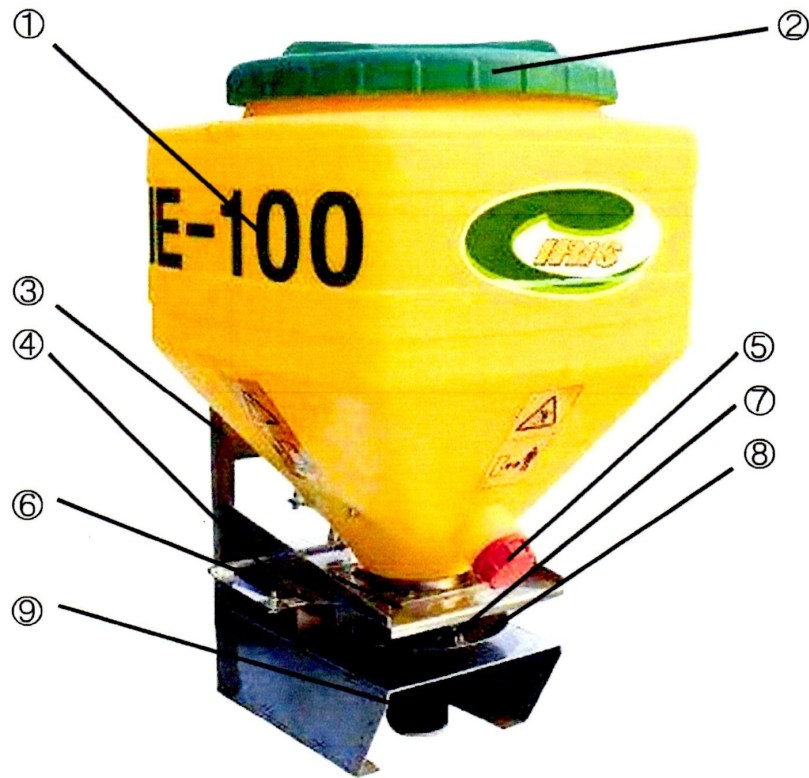
Model	IE-70	IE-100	IE-180
HOPPER CAPACITY(l/gallon)	70/18.5	100/26.5	180/47.5
WEIGHT OF THE MACHINE(kg)	21/46.3	22/48.5	26/57.3
WIDTH(outside side)(mm/inch)	550/21.5	550/21.5	730/21.5
LOADING HEIGHT(mm/inch)	830/32.5	900/35.5	1120/44
LENGTH(mm/inch)	600/23.5	600/23.5	600/23.5
SPREADING WIDTH(m/ft) - on/off	16/52	16/52	16/52
SPREADING WIDTH(m/ft) - Speed controller	2~16/ 7~52(Option)	2~22/ 7~52(Option)	2~22/ 7~52(Option)
POWER	12V DC	12V DC	12V DC

※ Spreading width different according to fertilizer condition or operating conditions



3. Parts

Fertilizer/Seed Spreader(IE-70,100,180)



- | | | |
|------------------|----------------|--------|
| ① Hopper | ② Hopper Cover | |
| ③ Frame | ④ Shutter Link | |
| ⑤ Side Cover | ⑥ Shutter | ⑦ Vane |
| ⑧ Spreading Disk | ⑨ DC Motor | |

4. How to Operate

- 1) **Insert fertilizer/seed spreader's holes with bracket to install various tractor, ATV and etc**
- 2) **Connect and fasten the fertilizer spreader's hole to the tractor, ATV and etc.**
- 3) **Close the outlet and pour fertilizer or seed into the hopper.**
- 4) **Adjust spread rate by using adjustment lever.**
- 5) **Install cable \oplus, \ominus on battery.**
- 6) **Spread fertilizer or seed by a controller.**
- 7) **You may require an additional adjustment by moving the individual discharging plate ring when the condition of fertilizer or seed changes(weight, condition(wet or dry), etc)**

Moving the discharging plate ring left will carry more material to be spread to the righthand side.

Moving the discharging plate ring right will carry more material to be spread to the lefthand side.

Please have a test spreading after each adjustment.

- 8) **Adjust spreading width by remote controller.(Option)**

5. Important safety information

- 1) **Safety gear must be worn while operating the machine.**
- 2) **If more than two people are operating the machine, observe the others' movement carefully.**
- 3) **Make sure there is NO on or no obstacle within the operating area and its range.**
- 4) **Do NOT overload or apply excessive force to the equipment.**
- 5) **Perform "pre-operation" procedures. In particular, check for loosen nuts and bolts, connecting pins, and Lubricant.**
- 6) **If any trouble occurs while operating the equipment, turn off the engine of ATV or tractor and apply the break, then refer to "Trouble Shooting."**
- 7) **Comply with all local traffic regulations while driving.**
- 8) **DO NOT touch controller and cable with wet hand.**

6. Checkup

- 1) **Make sure to apply Lubricant where needed and check for loosen nuts and bolts before operating.**
- 2) **Before operating, please check for lubrication, and connection of the parts.**
- 3) **Test drive the equipment before actual use.**

7. Storage

- 1) **When the equipment is to be stored for a long time, apply lubricants to the area where it is likely to have corrosion.**
- 2) **Firmly secure the fertilizer spreader on the flat surface to prevent any possible fall off.**
- 3) **Keep it away from children to prevent any safety hazard.**
- 4) **When the equipment is to be stored for a long time, store it in indoor. If it is to be stored outside, place it on the flat surface and cover it with protectors to prevent any source of damages from rain and snow.**

8. SPREADING CHART FOR FERTILIZER – GRANULE – METERS – ON/OFF

FERTILIZER TYPE	SPINNER SPEED (RPM)	SPREAD WIDTH (METERS)	VEHICLE SPEED (km/h)	QUANTITY TO BE SPREAD, IN KGS PER HECTARE AT CONTROL LEVER SETTING INDICATED										
				1	2	3	4	5	6	7	8	9	10	11
Coarse Grain Fertilizers (approx 750kg/m ³)	3000	15	10.0	-	-	-	1.2	2.4	8.4	16.8	22.4	30	34.4	38
			12.0	-	-	-	1	2	6.9	13.9	18.5	24.8	28.4	31.4
			15.0	-	-	-	0.8	1.6	5.6	11.2	15	20	23	25.4
Medium Grain Fertilizers (approx 1100kg/m ³)	3000	16	10.0	-	-	-	1.1	3.4	9.4	21.8	27.8	31.9	41.6	57
			12.0	-	-	-	0.9	2.8	7.8	18.1	23.2	26.6	34.7	47.6
			15.0	-	-	-	0.8	2.3	6.3	14.5	18.5	21.3	27.8	38
Fine Grain Fertilizers (approx 1400kg/m ³)	3000	14	10.0	-	-	-	2.2	10.8	21.5	31.8	28	51.6	65.8	70
			12.0	-	-	-	1.8	8.9	17.9	26.4	33.2	42.8	54.6	58.2
			15.0	-	-	-	1.4	7.2	14.3	21.2	18.6	34.3	43.8	46.6

SPREADING CHART FOR FERTILIZER – GRANULE – ft – ON/OFF

FERTILIZER TYPE	SPINNER SPEED (RPM)	SPREAD WIDTH (ft)	VEHICLE SPEED (mile/h)	QUANTITY TO BE SPREAD, IN LBS PER HECTARE AT CONTROL LEVER SETTING INDICATED										
				1	2	3	4	5	6	7	8	9	10	11
Coarse Grain Fertilizers (approx 750kg/m ²)	3000	49	6.2	-	-	-	2.6	5.3	18.5	37	49.3	66	75.7	83.6
			7.5	-	-	-	2.2	4.4	15.2	30.6	40.7	54.6	62.5	69
			9.3	-	-	-	1.8	3.5	12.3	24.6	33	44	50.6	55.9
			6.2	-	-	-	2.4	7.5	20.7	48	61.2	70.2	91.5	125.4
			7.5	-	-	-	2	6.2	17.2	39.9	51	58.5	76.3	104.7
			9.3	-	-	-	1.8	5.1	13.9	31.9	40.7	46.9	61.2	83.6
Medium Grain Fertilizers (approx 1100kg/m ²)	3000	52	6.2	-	-	-	4.8	23.8	47.3	70	61.6	113.5	144.8	154
			7.5	-	-	-	4	19.6	39.4	58	73	94.2	120.1	128
			9.3	-	-	-	3.1	15.8	31.5	46.6	40.9	75.5	96.4	102.5
Fine Grain Fertilizers (approx 1400kg/m ²)	3000	46	6.2	-	-	-	4	19.6	39.4	58	73	94.2	120.1	128
			7.5	-	-	-	4	19.6	39.4	58	73	94.2	120.1	128
			9.3	-	-	-	3.1	15.8	31.5	46.6	40.9	75.5	96.4	102.5

SPREADING CHART FOR FERTILIZER – GRANULE – METERS – SPEED CONTROLLER

FERTILIZER TYPE	CONTROL LEVEL SETTING	SPREAD WIDTH (METERS)	VEHICLE SPEED (km/h)	QUANTITY TO BE SPREAD, IN KGS PER HECTARE AT CONTROL LEVER SETTING INDICATED										
				1	2	3	4	5	6	7	8	9	10	11
Coarse Grain Fertilizers (approx 750kg/m ²)	1	6	10	-	-	-	3	6	21	42	56	75	86	95
			12	-	-	-	2.5	5	17.3	34.8	46.3	62	71	78.5
			15	-	-	-	2	4	14	28	37.5	50	57.5	63.5
	2	8	10	-	-	-	2.2	4.5	15.7	31.5	42	56.2	64.5	71.2
			12	-	-	-	1.9	3.8	12.9	26.1	34.7	46.5	53.3	58.9
			15	-	-	-	1.5	3	10.5	21	28.1	37.5	43.1	47.6
	3	9	10	-	-	-	2	4	14	28	37.3	50	57.3	63.3
			12	-	-	-	1.7	3.3	11.5	23.2	30.8	41.3	47.3	52.3
			15	-	-	-	1.3	2.7	9.3	18.7	25	33.3	38.3	42.3
	4	10	10	-	-	-	1.8	3.6	12.6	25.2	33.6	45	51.6	57
			12	-	-	-	1.5	3.0	10.4	20.9	27.8	37.2	42.6	47.1
			15	-	-	-	1.2	2.4	8.4	16.8	22.5	30	34.5	38.1
	5	11	10	-	-	-	1.6	3.3	11.5	22.9	30.5	40.9	46.9	51.8
			12	-	-	-	1.4	2.7	9.4	19	25.2	33.8	38.7	42.8
			15	-	-	-	1.1	2.2	7.6	15.3	20.5	27.3	31.4	34.6
6	12	10	-	-	-	1.5	3	10.5	21	28	37.5	43	47.5	
		12	-	-	-	1.3	2.5	8.6	17.4	23.1	31	35.5	39.3	
		15	-	-	-	1	2	7	14	18.8	25	28.8	31.8	
7	13	10	-	-	-	1.4	2.8	9.7	19.4	25.8	34.6	39.7	43.8	
		12	-	-	-	1.2	2.3	8	16	21.3	28.6	32.8	36.2	
		15	-	-	-	0.9	1.8	6.5	12.9	17.3	23.1	26.5	29.3	
8	15	10	-	-	-	1.2	2.4	8.4	16.8	22.4	30	34.4	38	
		12	-	-	-	1	2	6.9	13.9	18.5	24.8	28.4	31.4	
		15	-	-	-	0.8	1.6	5.6	11.2	15	20	23	25.4	

SPREADING CHART FOR FERTILIZER – GRANULE – METERS – SPEED CONTROLLER

FERTILIZER TYPE	CONTROL LEVEL SETTING	SPREAD WIDTH (METERS)	VEHICLE SPEED (km/h)	QUANTITY TO BE SPREAD, IN KGS PER HECTARE AT CONTROL LEVER SETTING INDICATED										
				1	2	3	4	5	6	7	8	9	10	11
Medium Grain Fertilizers (approx 1100kg/m ²)	1	5.5	10	-	-	-	3.2	9.9	27.3	63.4	80.9	92.8	121	165.8
			12	-	-	-	2.6	8.1	22.7	52.7	67.5	77.4	100.9	138.5
			15	-	-	-	2.3	6.7	18.3	42.2	53.8	62.0	80.9	110.5
	2	7	10	-	-	-	2.5	7.8	21.5	49.8	63.5	72.9	95.1	130.3
			12	-	-	-	2.1	6.4	17.8	41.4	53.0	60.8	79.3	108.8
			15	-	-	-	1.8	5.3	14.4	33.1	42.3	48.7	63.5	86.9
	3	8	10	-	-	-	2.2	6.8	18.8	43.6	55.6	63.8	83.2	114
			12	-	-	-	1.8	5.6	15.6	36.2	46.4	53.2	69.4	95.2
			15	-	-	-	1.6	4.6	12.6	29	37	42.6	55.6	76
	4	10	10	-	-	-	1.8	5.4	15	34.9	44.5	51	66.6	91.2
			12	-	-	-	1.4	4.5	12.5	29	37.1	42.6	55.5	76.2
15			-	-	-	1.3	3.7	10.1	23.2	29.6	34.1	44.5	60.8	
5	12	10	-	-	-	1.5	4.5	12.5	29.1	37.1	42.5	55.5	76.0	
		12	-	-	-	1.2	3.7	10.4	24.1	30.9	35.5	46.3	63.5	
		15	-	-	-	1.1	3.1	8.4	19.3	24.7	28.4	37.1	50.7	
6	13.5	10	-	-	-	1.3	4	11.1	25.8	32.9	37.8	49.3	67.6	
		12	-	-	-	1.1	3.3	9.2	21.5	27.5	31.5	41.1	56.4	
		15	-	-	-	0.9	2.7	7.5	17.2	21.9	25.2	32.9	45	
7	15	10	-	-	-	1.2	3.6	10	23.3	29.7	34	44.4	60.8	
		12	-	-	-	1	3	8.3	19.3	24.7	28.4	37	50.8	
		15	-	-	-	0.9	2.5	6.7	15.5	19.7	22.7	29.7	40.5	
8	16	10	-	-	-	1.1	3.4	9.4	21.8	27.8	31.9	41.6	57	
		12	-	-	-	0.9	2.8	7.8	18.1	23.2	26.6	34.7	47.6	
		15	-	-	-	0.8	2.3	6.3	14.5	18.5	21.3	27.8	38	

SPREADING CHART FOR FERTILIZER – GRANULE – METERS – SPEED CONTROLLER

FERTILIZER TYPE	CONTROL LEVEL SETTING	SPREAD WIDTH (METERS)	VEHICLE SPEED (km/h)	QUANTITY TO BE SPREAD, IN KGS PER HECTARE AT CONTROL LEVER																				
				SETTING INDICATED																				
				1	2	3	4	5	6	7	8	9	10	11										
Fine Grain Fertilizers (approx 1400kg/m ³)	1	0	10	-	-	-	-	-	-	-	-	-	-	-	-	-	-	-	-	-	-			
			12	-	-	-	-	-	-	-	-	-	-	-	-	-	-	-	-	-	-	-	-	
			15	-	-	-	-	-	-	-	-	-	-	-	-	-	-	-	-	-	-	-	-	-
	2	4	10	-	-	-	16.8	83.3	165.6	245	215.6	397.3	506.8	539	-	-	-	-	-	-	-	-	-	
			12	-	-	-	14	68.6	137.9	203	255.5	329.7	420.4	448	-	-	-	-	-	-	-	-	-	-
			15	-	-	-	10.9	55.3	110.3	163.1	143.2	264.3	337.4	358.8	-	-	-	-	-	-	-	-	-	-
	3	6	10	-	-	-	11.2	55.5	110.4	163.3	143.7	264.8	337.9	359.3	-	-	-	-	-	-	-	-	-	
			12	-	-	-	9.3	45.7	91.9	135.3	170.3	219.8	280.2	298.7	-	-	-	-	-	-	-	-	-	-
			15	-	-	-	7.2	36.9	73.5	108.7	95.4	176.2	224.9	239.2	-	-	-	-	-	-	-	-	-	-
	4	7	10	-	-	-	9.6	47.6	94.6	140	123.2	227	289.6	308	-	-	-	-	-	-	-	-	-	
			12	-	-	-	8	39.2	78.8	116	146	188.4	240.2	256	-	-	-	-	-	-	-	-	-	-
			15	-	-	-	6.2	31.6	63	93.2	81.8	151	192.8	205	-	-	-	-	-	-	-	-	-	-
	5	10	10	-	-	-	6.7	33.3	66.2	98	86.2	158.9	202.7	215.6	-	-	-	-	-	-	-	-	-	
			12	-	-	-	5.6	27.4	55.2	81.2	102.2	131.9	168.1	179.2	-	-	-	-	-	-	-	-	-	-
			15	-	-	-	4.3	22.1	44.1	65.2	57.3	105.7	135	143.5	-	-	-	-	-	-	-	-	-	-
6	12	10	-	-	-	5.6	27.8	55.2	81.7	71.9	132.4	168.9	179.7	-	-	-	-	-	-	-	-	-		
		12	-	-	-	4.7	22.9	46	67.7	85.2	109.9	140.1	149.3	-	-	-	-	-	-	-	-	-	-	
		15	-	-	-	3.6	18.4	36.8	54.4	47.7	88.1	112.5	119.6	-	-	-	-	-	-	-	-	-	-	
7	13	10	-	-	-	5.2	25.6	50.9	75.4	66.3	122.2	155.9	165.8	-	-	-	-	-	-	-	-	-		
		12	-	-	-	4.3	21.1	42.4	62.5	78.6	101.4	129.3	137.8	-	-	-	-	-	-	-	-	-	-	
		15	-	-	-	3.3	17	33.9	50.2	44	81.3	103.8	110.4	-	-	-	-	-	-	-	-	-	-	
8	14	10	-	-	-	4.8	23.8	47.3	70	61.6	113.5	144.8	154	-	-	-	-	-	-	-	-	-		
		12	-	-	-	4	19.6	39.4	58	73	94.2	120.1	128	-	-	-	-	-	-	-	-	-	-	
		15	-	-	-	3.1	15.8	31.5	46.6	40.9	75.5	96.4	102.5	-	-	-	-	-	-	-	-	-	-	

SPREADING CHART FOR FERTILIZER – GRANULE – ft – SPEED CONTROLLER

FERTILIZER TYPE	CONTROL LEVEL SETTING	SPREAD WIDTH (ft)	VEHICLE SPEED (miles/h)	QUANTITY TO BE SPREAD, IN LBS PER HECTARE AT CONTROL LEVER SETTING INDICATED												
				1	2	3	4	5	6	7	8	9	10	11		
Coarse Grain Fertilizers (approx 750kg/m ³)	1	19.7	6.2	-	-	-	6.5	13.3	46.3	92.5	123.3	165	189.3	209		
			7.5	-	-	-	5.5	11	38	76.5	101.8	136.5	156.3	172.5		
			9.3	-	-	-	4.5	8.8	30.8	61.5	82.5	110	126.5	139.8		
	2	26.2	6.2	-	-	-	4.9	9.9	34.7	69.4	92.4	123.8	141.9	156.8		
			7.5	-	-	-	4.1	8.3	28.5	57.4	76.3	102.4	117.2	129.4		
			9.3	-	-	-	3.4	6.6	23.1	46.1	61.9	82.5	94.9	104.8		
	3	29.5	6.2	-	-	-	4.3	8.8	30.8	61.7	82.2	110	126.2	139.3		
			7.5	-	-	-	3.7	7.3	25.3	51	67.8	91	104.2	115		
			9.3	-	-	-	3	5.8	20.5	41	55	73.3	84.3	93.2		
	4	32.8	6.2	-	-	-	3.9	8	27.8	55.5	74	99	113.6	125.4		
			7.5	-	-	-	3.3	6.6	22.8	45.9	61.1	81.9	93.8	103.5		
9.3			-	-	-	2.7	5.3	18.5	36.9	49.5	66	75.9	83.9			
5	36	6.2	-	-	-	3.5	7.2	25.2	50.5	67.2	90	103.2	114.0			
		7.5	-	-	-	3	6	20.7	41.7	55.5	74.5	85.2	94.1			
		9.3	-	-	-	2.5	4.8	16.8	33.5	45.0	60	69	76.2			
6	39.4	6.2	-	-	-	3.3	6.6	23.1	46.3	61.6	82.5	94.6	104.5			
		7.5	-	-	-	2.8	5.5	19.0	38.3	50.9	68.3	78.1	86.3			
		9.3	-	-	-	2.3	4.4	15.4	30.8	41.3	55	63.3	69.9			
7	42.7	6.2	-	-	-	3	6.1	21.3	42.7	56.9	76.2	87.3	96.5			
		7.5	-	-	-	2.5	5.1	17.5	35.3	47	63	72.1	79.6			
		9.3	-	-	-	2.1	4	14.2	28.4	38.1	50.8	58.4	64.5			
8	49.2	6.2	-	-	-	2.6	5.3	18.5	37	49.3	66	75.7	83.6			
		7.5	-	-	-	2.2	4.4	15.2	30.6	40.7	54.6	62.5	69			
		9.3	-	-	-	1.8	3.5	12.3	24.6	33	44	50.6	55.9			

SPREADING CHART FOR FERTILIZER – GRANULE – ft – SPEED CONTROLLER

FERTILIZER TYPE	CONTROL LEVEL SETTING	SPREAD WIDTH (ft)	VEHICLE SPEED (mile/h)	QUANTITY TO BE SPREAD, IN LBS PER HECTARE AT CONTROL LEVER SETTING INDICATED										
				1	2	3	4	5	6	7	8	9	10	11
				1	18	6.2	-	-	-	7	21.8	60.2	139.6	178
		7.5	-	-	-	5.8	18	50	116.1	148.4	170.2	222	304.6	
		9.3	-	-	-	5.2	14.8	40.4	92.8	118.4	136.4	178	243.2	
2	23	6.2	-	-	-	5.5	17.1	47.3	109.7	139.9	160.5	209.1	286.6	
		7.5	-	-	-	4.6	14.2	39.3	91.2	116.6	133.7	174.4	239.3	
		9.3	-	-	-	4.1	11.7	31.8	72.9	93	107.2	139.9	191.1	
		6.2	-	-	-	4.8	15	41.4	96	122.4	140.4	183.0	250.8	
		7.5	-	-	-	4	12.4	34.4	79.8	102	117.0	152.6	209.4	
3	26.3	9.3	-	-	-	3.6	10.2	27.8	63.8	81.4	93.8	122.4	167.2	
		6.2	-	-	-	3.8	12	33.1	76.8	97.9	112.3	146.4	200.6	
		7.5	-	-	-	3.2	9.9	27.5	63.8	81.6	93.6	122.1	167.5	
		9.3	-	-	-	2.9	8.2	22.2	51	65.1	75	97.9	133.8	
4	32.8	6.2	-	-	-	3.2	10	27.6	64	81.6	93.6	122	167.2	
		7.5	-	-	-	2.7	8.3	22.9	53.2	68	78	101.7	139.6	
		9.3	-	-	-	2.4	6.8	18.5	42.5	54.3	62.5	81.6	111.5	
5	39.4	6.2	-	-	-	2.8	8.9	24.5	56.9	72.5	83.2	108.4	148.6	
		7.5	-	-	-	2.4	7.3	20.4	47.3	60.4	69.3	90.4	124.1	
		9.3	-	-	-	2.1	6	16.5	37.8	48.2	55.6	72.5	99.1	
6	44.3	6.2	-	-	-	2.6	8	22.1	51.2	65.3	74.9	97.6	133.8	
		7.5	-	-	-	2.1	6.6	18.3	42.6	54.4	62.4	81.4	111.7	
		9.3	-	-	-	1.9	5.4	14.8	34.0	43.4	50	65.3	89.2	
7	49.2	6.2	-	-	-	2.4	7.5	20.7	48	61.2	70.2	91.5	125.4	
		7.5	-	-	-	2	6.2	17.2	39.9	51	58.5	76.3	104.7	
		9.3	-	-	-	1.8	5.1	13.9	31.9	40.7	46.9	61.2	83.6	
8	52.5	6.2	-	-	-	1.8	5.1	13.9	31.9	40.7	46.9	61.2	83.6	

SPREADING CHART FOR FERTILIZER – GRANULE – ft – SPEED CONTROLLER

FERTILIZER TYPE	CONTROL LEVEL SETTING	SPREAD WIDTH (ft)	VEHICLE SPEED (mile/h)	QUANTITY TO BE SPREAD, IN LBS PER HECTARE AT CONTROL LEVER SETTING INDICATED																			
				1	2	3	4	5	6	7	8	9	10	11									
Fine Grain Fertilizers (approx 1400kg/m ³)	1	0	6.2	-	-	-	-	-	-	-	-	-	-	-	-	-	-	-	-	-	-	-	
			7.5	-	-	-	-	-	-	-	-	-	-	-	-	-	-	-	-	-	-	-	-
			9.3	-	-	-	-	-	-	-	-	-	-	-	-	-	-	-	-	-	-	-	-
	2	4	6.2	-	-	-	16.8	83.3	165.6	245.0	215.6	397.3	506.8	539									
			7.5	-	-	-	14	68.6	137.9	203.0	255.5	329.7	420.4	448									
			9.3	-	-	-	10.9	55.3	110.3	163.1	143.2	264.3	337.4	358.8									
	3	6	6.2	-	-	-	11.2	55.5	110.4	163.3	143.7	264.8	337.9	359.3									
			7.5	-	-	-	9.3	45.7	91.9	135.3	170.3	219.8	280.2	298.7									
			9.3	-	-	-	7.2	36.9	73.5	108.7	95.4	176.2	224.9	239.2									
	4	7	6.2	-	-	-	9.6	47.6	94.6	140	123.2	227	289.6	308									
			7.5	-	-	-	8	39.2	78.8	116	146	188.4	240.2	256									
9.3			-	-	-	6.2	31.6	63	93.2	81.8	151	192.8	205										
5	10	6.2	-	-	-	6.7	33.3	66.2	98	86.2	158.9	202.7	215.6										
		7.5	-	-	-	5.6	27.4	55.2	81.2	102.2	131.9	168.1	179.2										
		9.3	-	-	-	4.3	22.1	44.1	65.2	57.3	105.7	135	143.5										
6	12	6.2	-	-	-	5.6	27.8	55.2	81.7	71.9	132.4	168.9	179.7										
		7.5	-	-	-	4.7	22.9	46	67.7	85.2	109.9	140.1	149.3										
		9.3	-	-	-	3.6	18.4	36.8	54.4	47.7	88.1	112.5	119.6										
7	13	6.2	-	-	-	5.2	25.6	50.9	75.4	66.3	122.2	155.9	165.8										
		7.5	-	-	-	4.3	21.1	42.4	62.5	78.6	101.4	129.3	137.8										
		9.3	-	-	-	3.3	17	33.9	50.2	44	81.3	103.8	110.4										
8	14	6.2	-	-	-	4.8	23.8	47.3	70	61.6	113.5	144.8	154										
		7.5	-	-	-	4	19.6	39.4	58	73	94.2	120.1	128										
		9.3	-	-	-	3.1	15.8	31.5	46.6	40.9	75.5	96.4	102.5										

9. Parts sales & Trouble shootings

Parts sales

- 1) **The parts list provided is in compliance with IE-70,100,180 standards. Refer to this list when order any parts.**
- 2) **Follow next steps as below when order parts:**
 - ex) We would like to order 1 unit of hopper

Model	Number	Description	Quantity
IE-100	1	hopper	1

- 3) **To purchase the parts, contact the dealer where you purchased the equipment or our main office.**

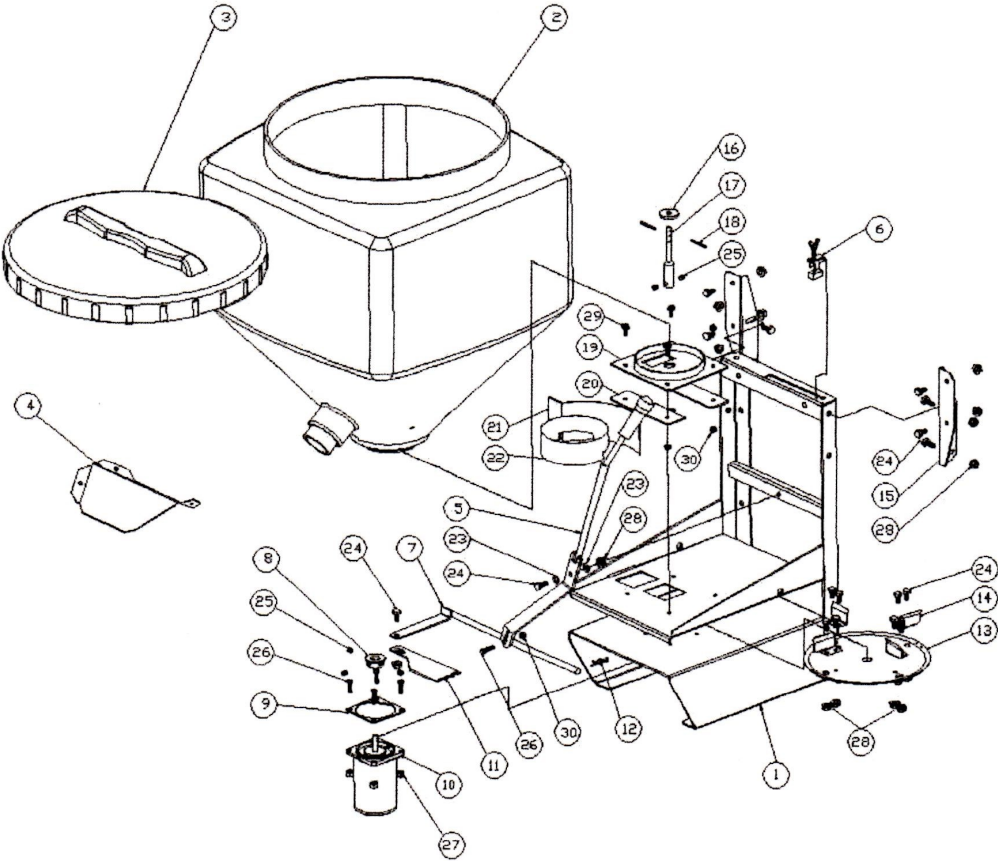
Trouble shootings

- 1) **If any malfunction occurs, please refer to "Trouble Shooting" section first.**
- 2) **If "Trouble Shooting" does not solve the issue, contact authorized dealer or manufacturer's Customer Service.**

10. Warranty/complimentary check up & Repair

- 1) **The warranty is good for one year from the date of delivering to the customer.**
- 2) **Even after one-year warranty period, we would gladly check up and repair the equipment at a reasonable price.**
- 3) **With a faith that any one-time customer is a customer for forever, we would continue to take care of our products for you until it lasts.**

11. Part list



NO	QUANTITY	Description
1	1	FRAME
2	1	HOPPER<70L,100L,180L>
3	1	HOPPER COVER
4	1	LOADING DIVISION PLATE
5	1	LEVER
6	1	LEVER STOPER
7	1	SHUTTER LIKE
8	1	SPREADING SHAFT BUSHING
9	1	DC MOTOR SQUARE WASHER
10	1	12V DC MOTOR
11	1	SHUTTER
12	1	R PIN
13	1	SPREADING DISK
14	4	SPREADING VANES
15	2	HOPPER HOLDING BRACKET
16	1	COVER WASHER

NO	QUANTITY	Discription
17	1	SPREADING SHAFT
18	2	AGITATOR
19	1	HOPPER BRACKET
20	2	SHUTTER GAP WASHER
21	1	SPREADING PREVENTION PLATE
22	1	DISCHARGING PLATE RING
23	2	∅17 × ∅8 Washer
24	17	M8 × 15mm Screw
25	6	M8 × 10mm Stab Screw
26	5	M6 × 25mm Screw
27	4	M6 Nut
28	18	M8 Flange Nut
29	4	M6 × 20mm Screw
30	5	M6 Flange Nut

CERTIFICATE OF QUALITY ASSURANCE

All products manufactured and sold by IRIS SPREADERS, Co. are designed and assembled in accordance with regulations on farm machinery under very strict quality management. If the product is managed and used in accordance with instructions on regular check-ups and maintenance schedule provided in the owner's operation manual then we assure you that the product always will be at its best condition and outstanding performance, and safely maintained. Thus, we are pleased to offer you the assurance terms as below.

1. SCOPE OF WARRANTY

If the product you purchased was managed and used in accordance with instructions on regular check-ups and maintenance schedule provided in the owner's operation manual AND the product is still within warranty period and used less than allowed usage time for warranty AND technical analysis reveals that the malfunction was caused by quality of the parts or manufacturing defects, we will repair it or exchange with our qualified replacement parts.

- ▶ On delivery the customer should check the machine that the machine has not been damaged in transit, and that it complies with that ordered as that it is complete with all the accessories as specified in the purchase contract. If it is found defective, a written complaint should be sent within 8 days of receipt of the same.

2. WARRANTY PERIOD: 1 FULL YEAR

When the product requires complementary repairs or maintenance, simply Present “Certificate of Warranty” to an authorized dealer or our main office for inspections and repairs.

3. RESPONSIBILITIES OF THE OWNER

Since any unauthorized inspections or use of non-genuine parts that are not prescribed in Owner’s Operation Manual may decrease the performance of the parts or cause fatal damages to the product, it is very critical to follow all the instructions prescribed in the Owner’s Operation Manual and Certificate of Quality Assurance.

4. EXCLUSIONS (Even within Warranty Period)

- 1) Items to be checked frequently for management :
cleaning fuel-related parts,
Items to be checked on regular basis :
inspection of breaks and adjustment
- 2) Wear and Tear parts
(except manufacturer’s defect):
filters, elements, rubber parts, vinyl parts, fuse, and wires.

3) Any malfunction or defect caused by using unspecified fuel (low quality fuel or contaminated fuel)

4) Any malfunction caused by not complying with instructions prescribed in Owner's Operation Manual or Warning Signs

5) Any defect caused by unauthorized modification of the product or use of non-genuine parts.

6) Any defect caused by negligence in storing and managing such as damages due to extreme weather conditions.

7) Minor issues not related with the function (smell, vibrations, shape, sensitivity)

8) Major discrepancies between the parts and its serial numbers recorded in our data base.

9) Malfunction caused by natural calamities.

5. PROCEDURE FOR WARRANTY REPAIR

Warranty repair will be provided in our authorized Customer Service Centre by qualified warranty repair technician during business hours.

6. In case we upgrade the specifications of certain model, we do not have any responsibility to upgrade the already-sold-equipments.

7. TRANSFER OF WARRANTY

Since we honor the remaining warranty time even after the transfer of ownership through sale or donation, it is very important to acquire the Certificate of warranty when transfer of the product takes place.

✘ We will honor all the terms prescribed above. However if you are not satisfied with the service provided to you, you may contact our customer service center directly and we will do our best to support you.

WARRANTY INFORMATION

○ In order for us to guarantee our highest quality on our products, we offer complimentary inspections in designated agencies. If any malfunction occurs caused by manufacturing defect during warranty period, we will repair or replace the parts at free of charge.

○ WARRANTY EXCLUSIONS:

1. Modified products
2. Missed or skipped check-ups and measures
3. Damages or malfunction caused by negligence

Certificate of Warranty (1)

Please bring this certificate within 1 year from the date of purchase to have routine inspection.

Name		Address		
Model Name		Model #	Serial #	
Date of Purchase		Date of Service	Used Time	

This certificate should be submitted when you request an inspection.

Certificate of Warranty (2)

Please bring this certificate within 1 year from the date of purchase to have routine inspection.

Name		Address		
Model Name		Model #	Serial #	
Date of Purchase		Date of Service	Used Time	

This certificate should be submitted when you request an inspection.

Warranty Execution Report

DATE	PERFORMED	TECHNICIAN	CONFIRMED



1715 S. Slappy Blvd Albany, Georgia. 31701

